

Specification Sheet

Name/Company _____ Contact _____

Address _____

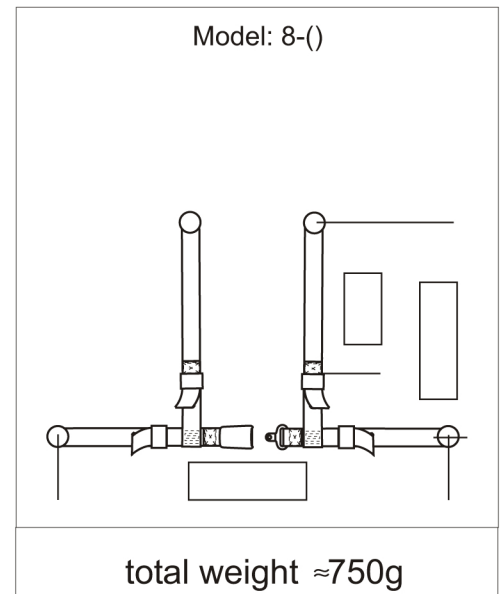
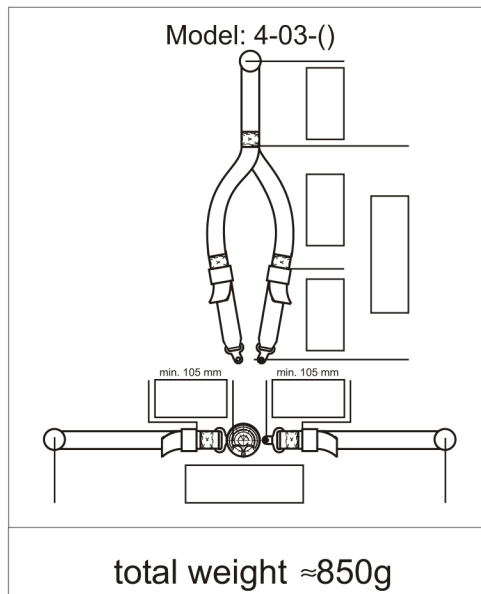
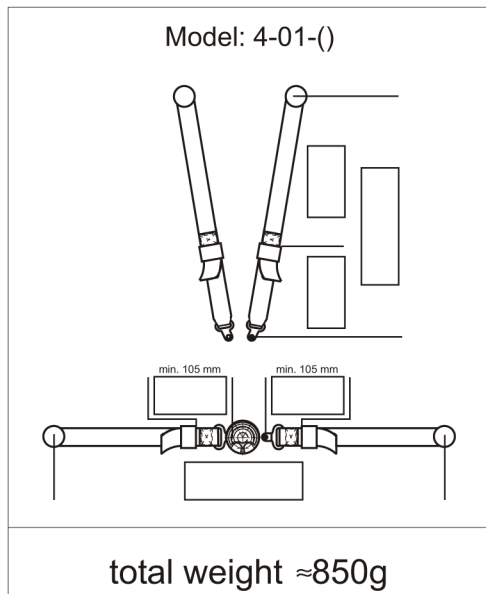
Phone _____ Fax _____

Quantity _____ Colour-No. _____

Webbing colors

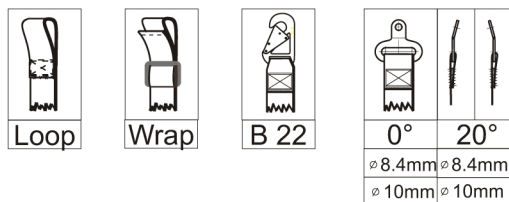
black	dark grey	blue	burgundy	pepperdust	silver	signal blue	yellow	dark red
01	02	06	09	10	23	91	93	94

Note: Colors seen on a computer screen or on a print-out often are not exact due to the settings of the individual computer.

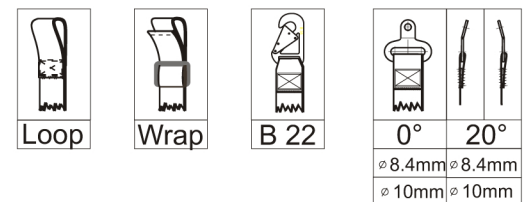


Please fill out the boxes of the model chosen with the length of the straps needed.

Shoulder harness endfittings



Lap belt endfittings



Aerobatics

Yes No